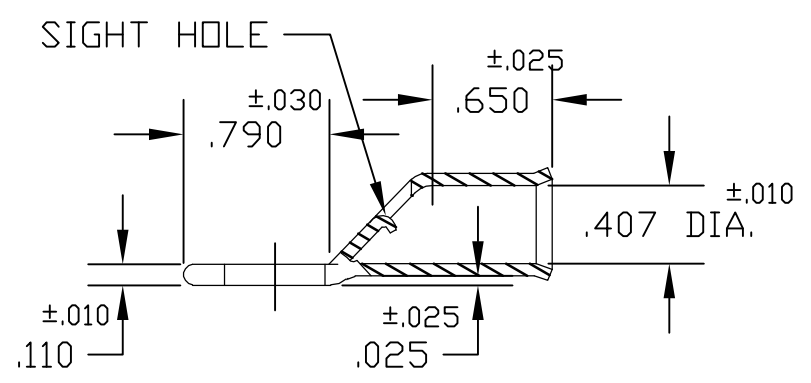
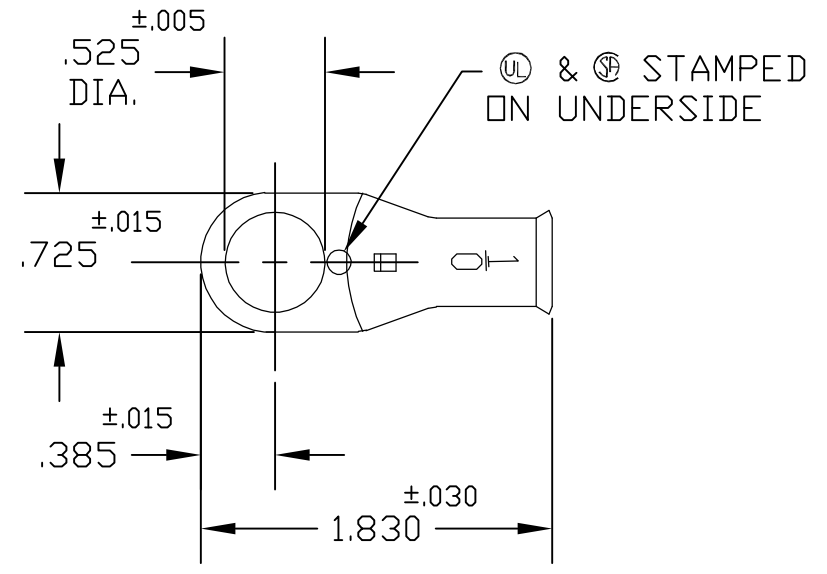


THIS DRAWING IS UNPUBLISHED. RELEASED FOR PUBLICATION
 © COPYRIGHT BY TYCO ELECTRONICS CORPORATION. ALL RIGHTS RESERVED.

LOC	DIST	REVISIONS					
		P	LTR	DESCRIPTION	DATE	DWN	APVD
G	50		A1	REVISED PER ECR-06-010858	09MAY06	HMR	JR



ACTIVE	10501-03	STANDARD	TIN PLATE	1526714-2
ACTIVE	10501-02	STANDARD	PLAIN	1526714-1
STATUS	AET P/N	PACKAGING	FINISH	PART NUMBER

THIS DRAWING IS A CONTROLLED DOCUMENT.		DWN D.A.A 9/21/00	Tyco Electronics Corporation Harrisburg, PA 17105-3608		
DIMENSIONS: INCHES		CHK H.D.F 9/21/00			
		APVD H.D.F 9/21/00	PRODUCT SPEC -		RESTRICTED TO -
MATERIAL COPPER ASTM B-152		FINISH -	APPLICATION SPEC -	SIZE A3	CAGE CODE 00779
		WEIGHT -	DRAWING NO C-1526714		SCALE 1:1
CUSTOMER DRAWING			SHEET 1 OF 1		REV A1